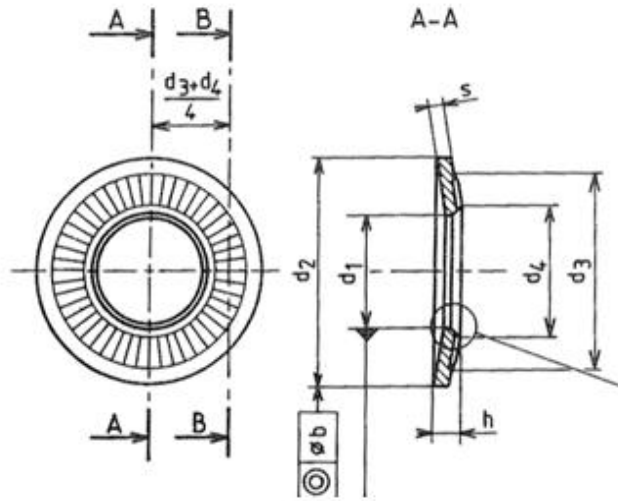


Per Viti for Thread	Dimensions (mm)						Numbers of wales	kgs/1K
	d1 mm	d2 min-max mm	s mm	h min-max mm	d4 min-max mm	d3 min mm		
M3	6±0.24	3.1-3.35	0.5±0.03	0.70-0.90	3.6-4.1	5.50	28	0.08
M3	8±0.29	3.1-3.35	0.6±0.03	0.80-1.00	3.6-4.1	5.50	28	0.20
M3	10±0.29	3.1-3.35	0.6±0.03	0.95-1.20	3.6-4.1	5.50	28	0.33
M4	8±0.29	4.1-4.40	0.8±0.03	1.00-1.20	4.7-5.2	7.00	32	0.23
M4	10±0.29	4.1-4.40	0.9±0.04	1.15-1.40	4.7-5.2	7.00	32	0.46
M4	14±0.35	4.1-4.40	1.0±0.04	1.40-1.80	4.7-5.2	7.00	32	1.10
M5	10±0.29	5.1-5.40	1.00±0.04	1.25-1.50	5.7-6.2	8.00	36	0.46
M5	12±0.35	5.1-5.40	1.10±0.04	1.45-1.80	5.7-6.2	8.00	36	0.80
M5	16±0.35	5.1-5.40	1.20±0.04	1.70-2.10	5.7-6.2	8.00	36	1.70
M6	12±0.35	6.1-6.40	1.20±0.04	1.55-1.85	6.8-7.4	10.00	45	0.79
M6	14±0.35	6.1-6.40	1.30±0.04	1.75-2.10	6.8-7.4	10.00	45	1.27
M6	18±0.35	6.1-6.40	1.40±0.04	2.10-2.50	6.8-7.4	10.00	45	2.48
M8	16±0.35	8.2-8.56	1.40±0.04	1.80-2.20	9.2-9.8	13.00	45	1.63
M8	18±0.35	8.2-8.56	1.40±0.04	1.90-2.35	9.2-9.8	13.00	45	2.22
M8	22±0.42	8.2-8.56	1.60±0.05	2.20-2.70	9.2-9.8	13.00	45	4.11



Per Viti for Thread	Dimensions (mm)						Numbers of wales	kgs/1K
	d1 mm	d2 min-max mm	s mm	h min-max mm	d4 min-max mm	d3 min mm		
M10	20±0.42	10.2-10.56	1.60±0.05	2.10-2.60	11.2-11.9	16.00	45	2.90
M10	22±0.42	10.2-10.56	1.60±0.05	2.25-2.75	11.2-11.9	16.00	45	3.75
M10	27±0.42	10.2-10.56	1.80±0.05	2.60-3.10	11.2-11.9	16.00	45	6.90
M12	24±0.42	12.4-12.83	1.80±0.05	2.40-2.90	13.7-14.4	18.00	45	4.69
M12	27±0.42	12.4-12.83	1.80±0.05	2.60-3.10	13.7-14.4	18.00	45	6.34
M12	32±0.50	12.4-12.83	2.00±0.05	3.10-3.60	13.7-14.4	18.00	45	10.65
M14	30±0.42	14.4-14.83	2.40±0.06	3.20-3.70	15.7-16.4	21.00	45	10.18
M16	32±0.50	16.4-16.83	2.80±0.06	3.60-4.10	17.7-18.4	24.00	60	12.95
M20	40±0.50	20.5-21.02	3.20±0.06	4.30-4.90	22.8-23.1	30.00	60	23.12